

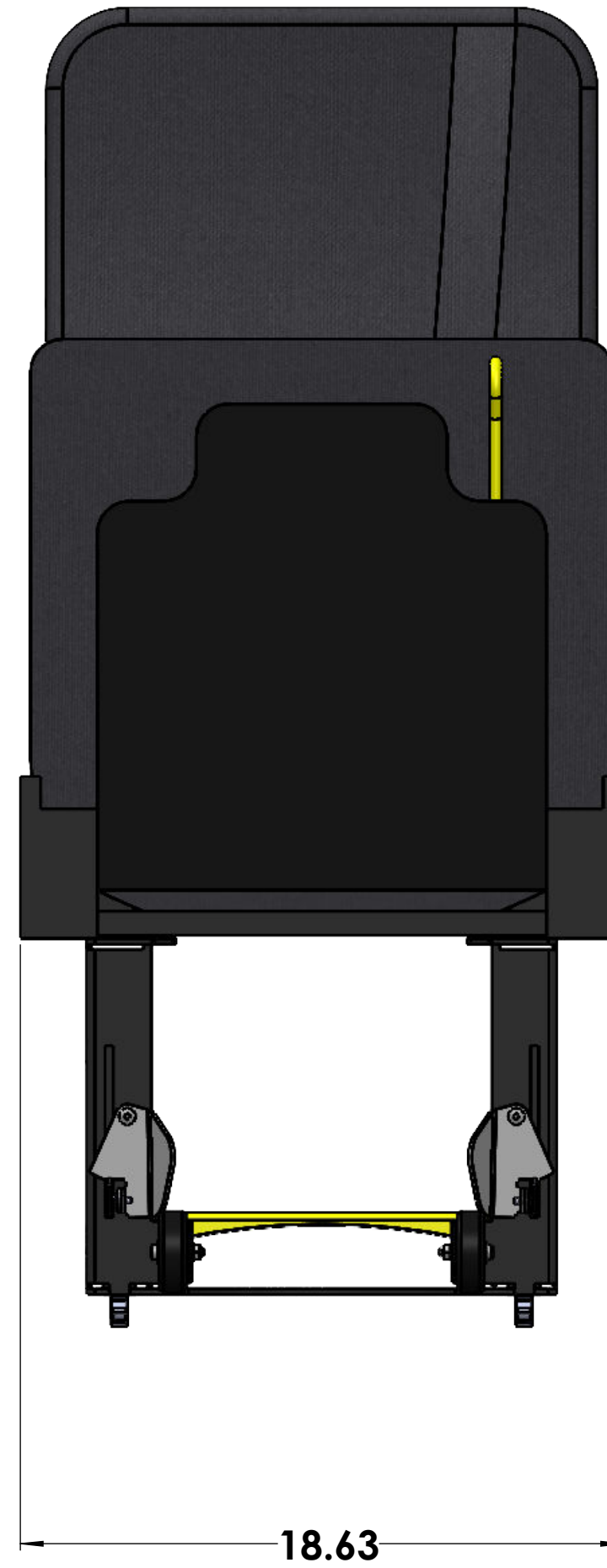
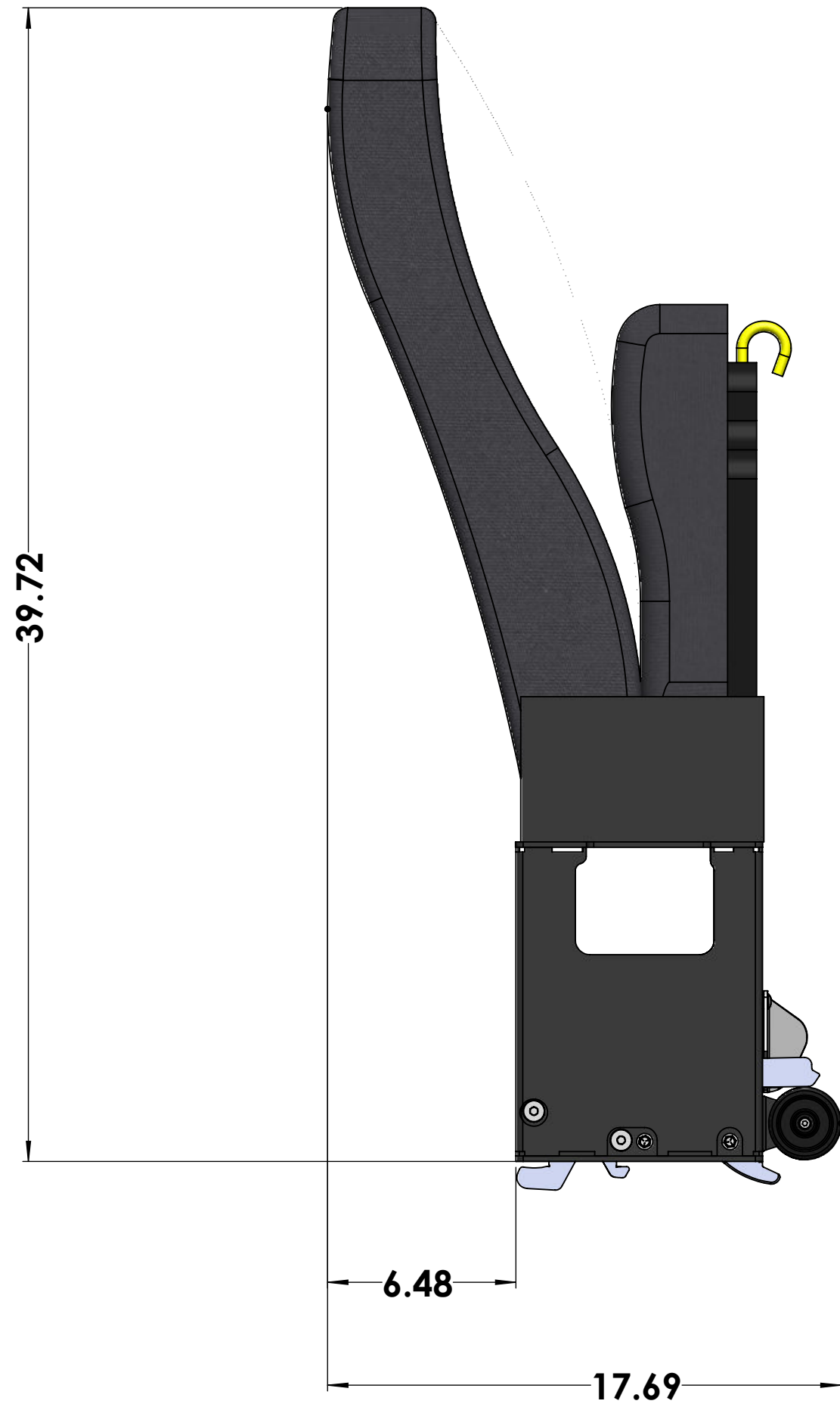
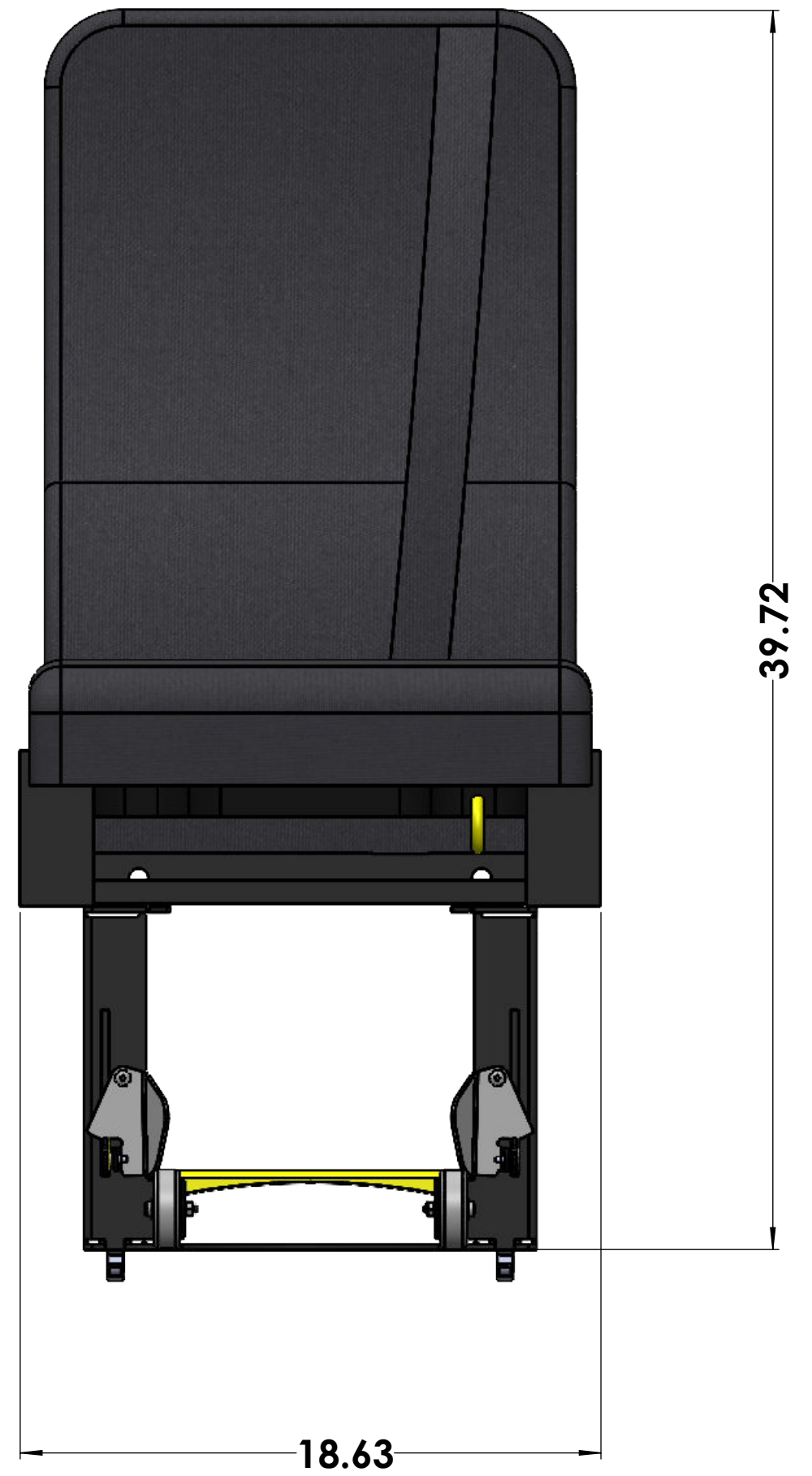
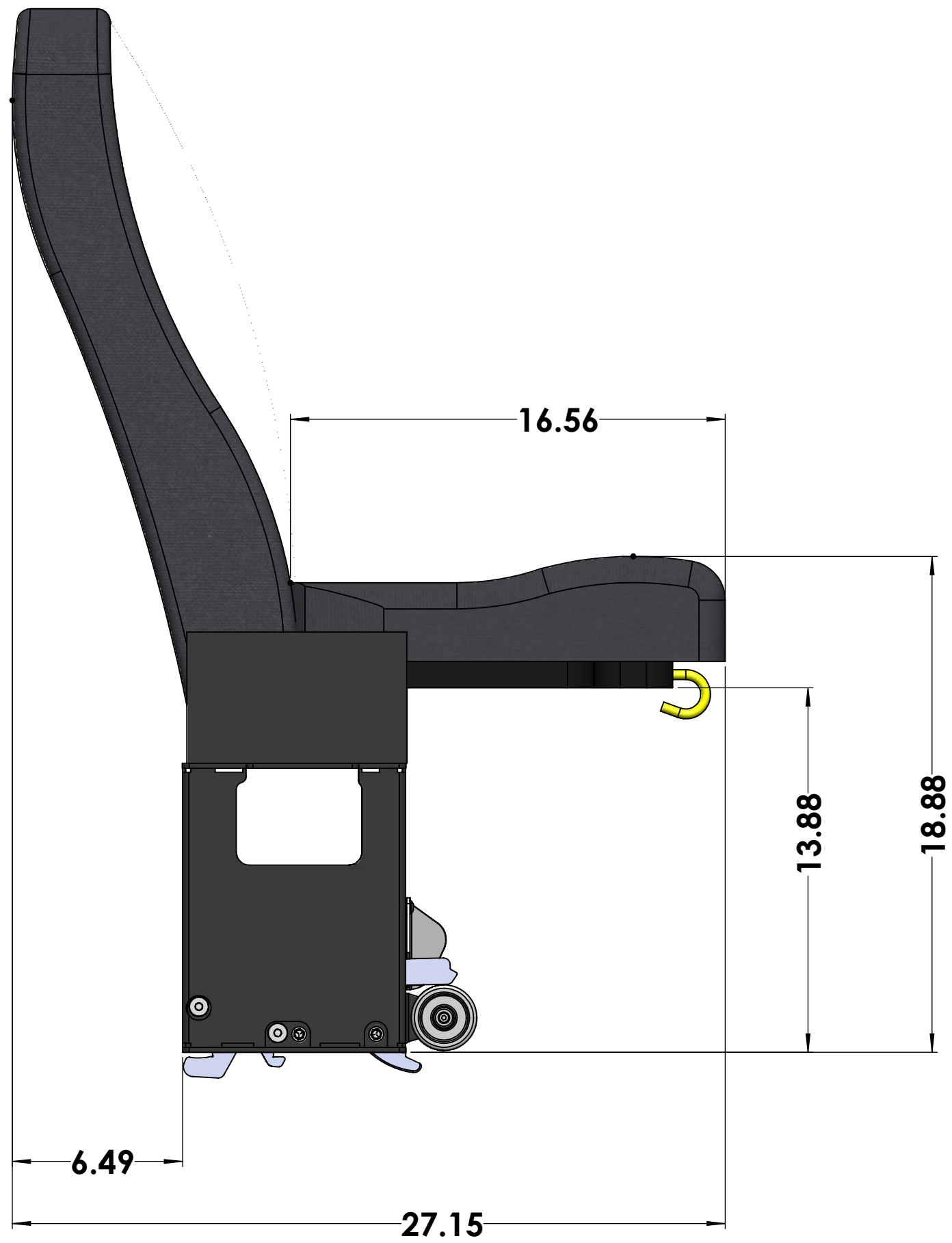


**MATERIAL:** 11 GA A36 & 3/16" A36 & 1/2" A514B  
**FINISH:** ZINC CHROMATE & GLOSS YELLOW POWDER & GLOSS BLACK POWDER

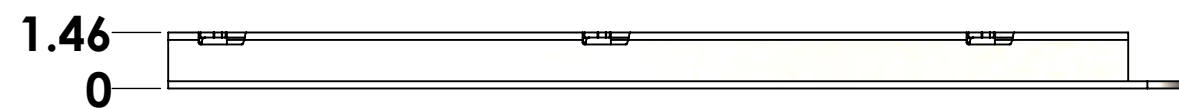
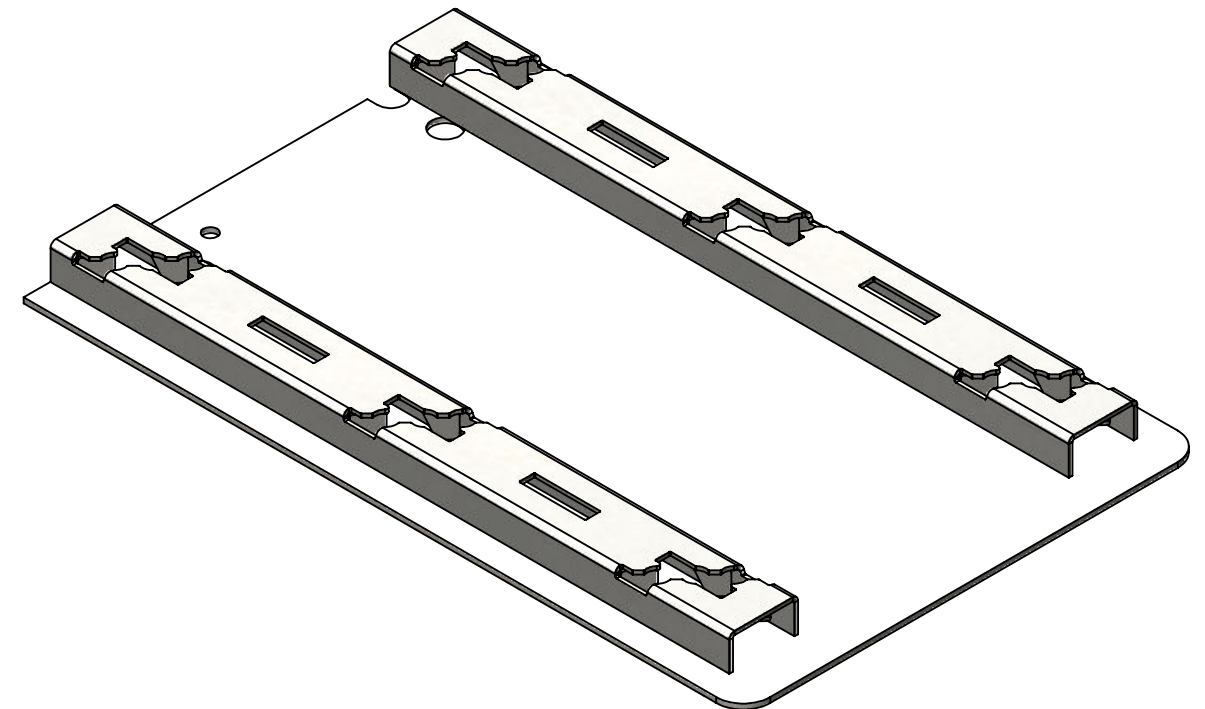
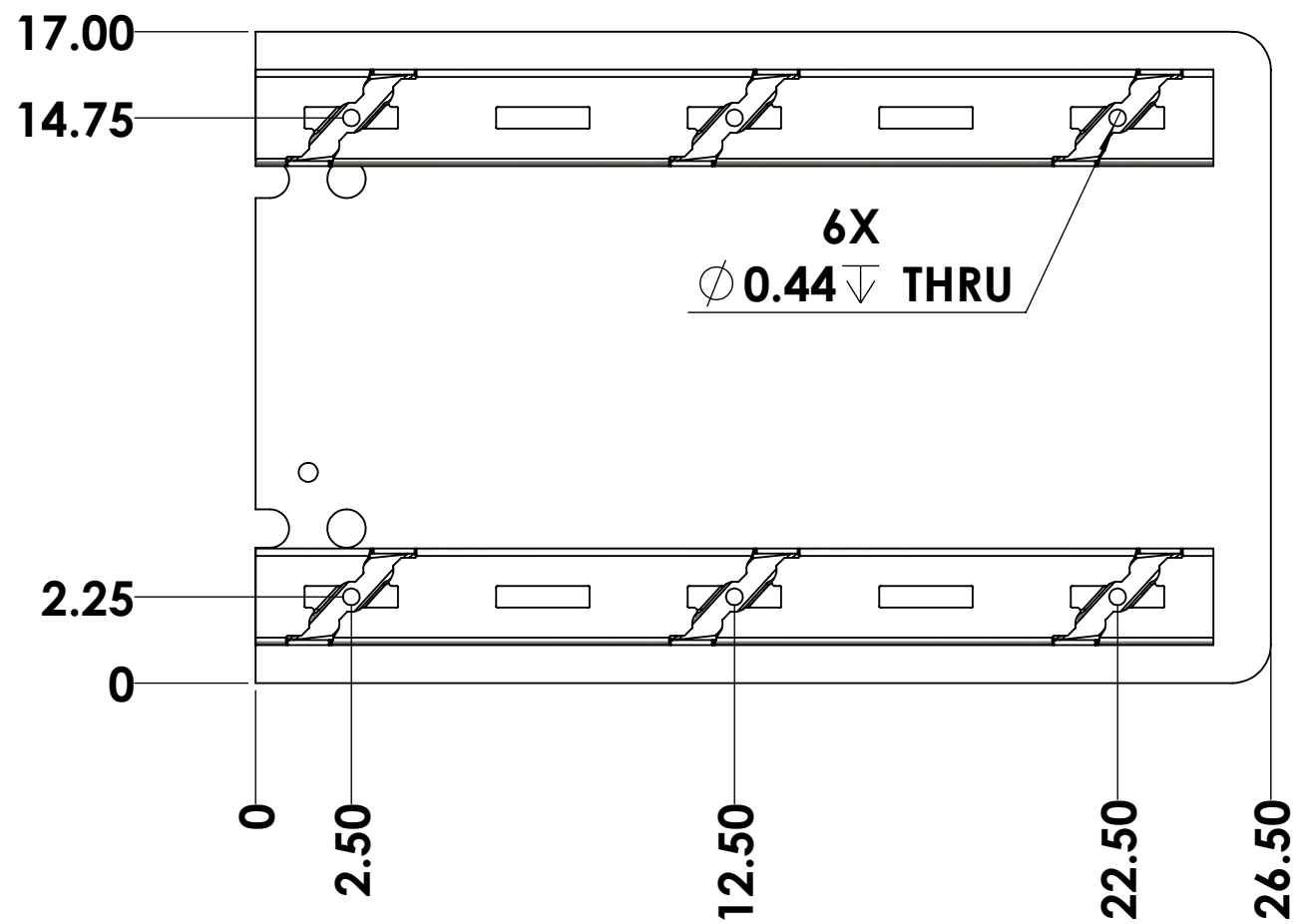
 	
<b>Part Number:</b> SA0001 SALES & MARKETING	
<b>Discription:</b> STEP N LOCK SEAT BASE ASSEMBLY	
<b>WEIGHT:</b>	<b>BOX DIM:</b>
<b>SCALE:1:6</b>   <b>SHEET 1 OF 1</b>	







**NOTE: THE SEAT IS INSTALLED IN THE MIDDLE POSITION ON THE POD**





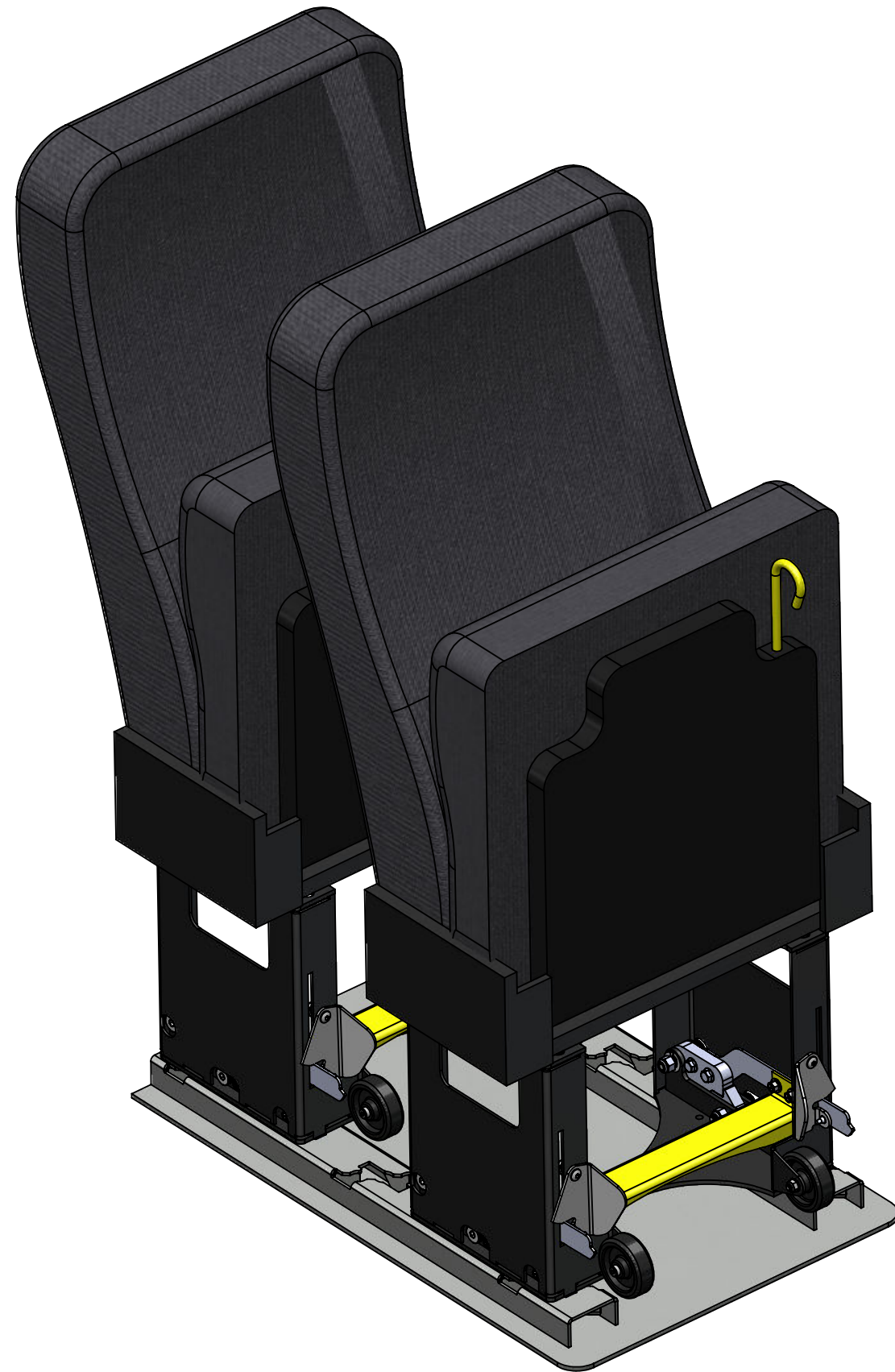
**REAR POSITION**



**MID POSITION**



**FOWARD POSITION**



**DOUBLE STOWED**

