

FENTON

InnovateElevate

26 Center St. Randolph NY, 14772

STEP-N-LOCK

Installation and User Guide

THESE PRODUCTS ARE COVERED UNDER ONE OR MORE OF THE FOLLOWING US PATENT NUMBERS
EP3025688 / 9,550,436 / 9,610,861



InnovateElevate

26 Center St. Randolph NY, 14772

Table of Contents

| | |
|--|----|
| Tools and Materials Needed | 3 |
| OEM Seat Base Removal | 4 |
| Seat Base Installation | 5 |
| Preparation:..... | 5 |
| Pod and Spacing Information | 8 |
| For use with Fenton's AbiliTrax flooring system..... | 8 |
| User Guide | 10 |
| For use with Fenton's AbiliTrax flooring system..... | 10 |

Tools and Materials Needed

- Adjustable crescent wrench, or $\frac{3}{4}$ "
- $\frac{3}{4}$ " socket and ratchet (optional)
- Necessary parts and accessories:
 - The hardware kit used to attach the Freedman GO seat to the Step-N-Lock base is provided by Freedman and should be included with the seat



InnovateElevate

26 Center St. Randolph NY, 14772

OEM Seat Base Removal

To convert your OEM seat into an AbiliTrax-compatible, moveable Step-N-Lock seat, the old seat base must first be removed.

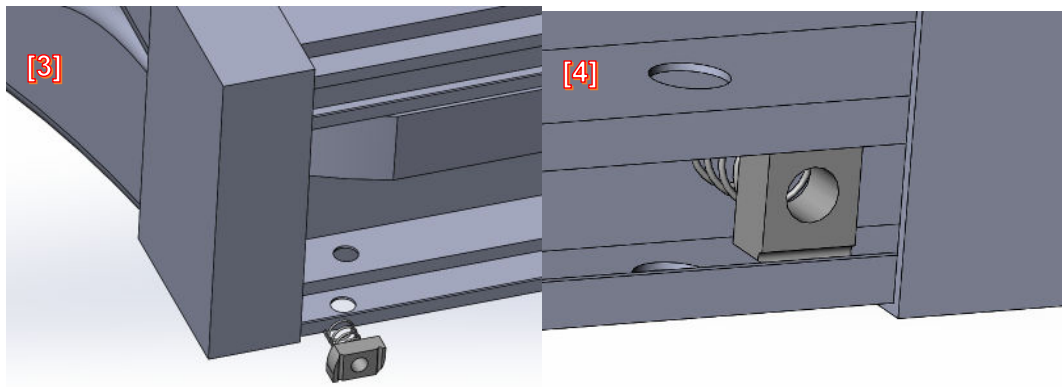
To remove OEM seat base, use a 3/4" socket—or an adjustable crescent wrench—to remove the OEM bolts and remove the legs.

STEP-N-LOCK

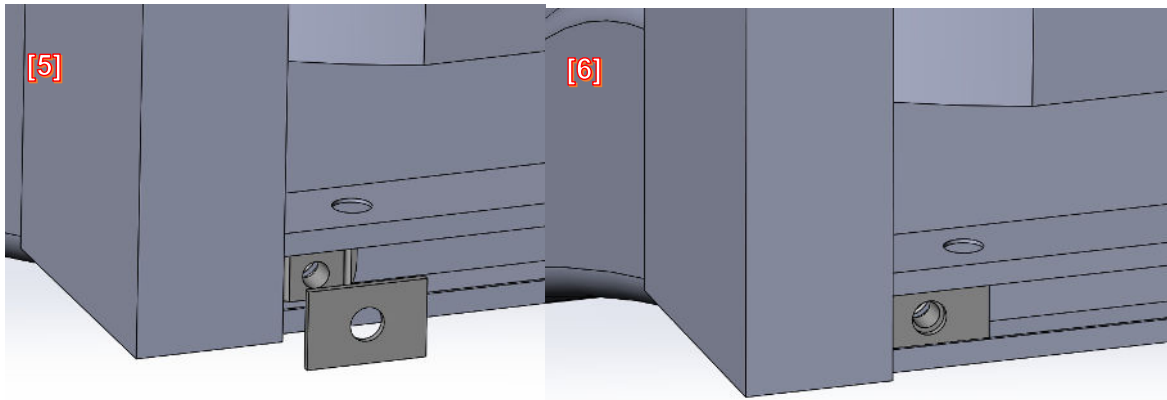
Seat Base Installation

Preparation:

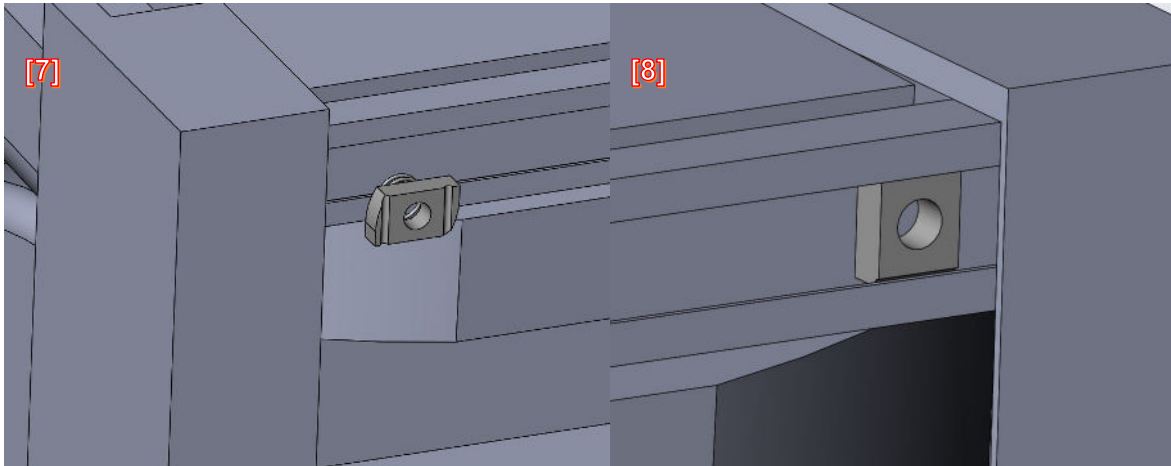
Insert the thicker “Tee Nuts” into the channel that is closest to the back of the seat base. While **compressing** the spring against the top of the strut channel, **push** the Tee Nut through the opening. Once the Tee Nut is through the opening, **rotate** it 90° to lock it into position. If the spring “pops” through the slotted openings at the top of the channel or if the spring is otherwise not straight, it must be corrected. **Place** the Tee Nuts as close as possible to their final position near the outer ends of the channel to minimize adjustments later on when installing the bolts.



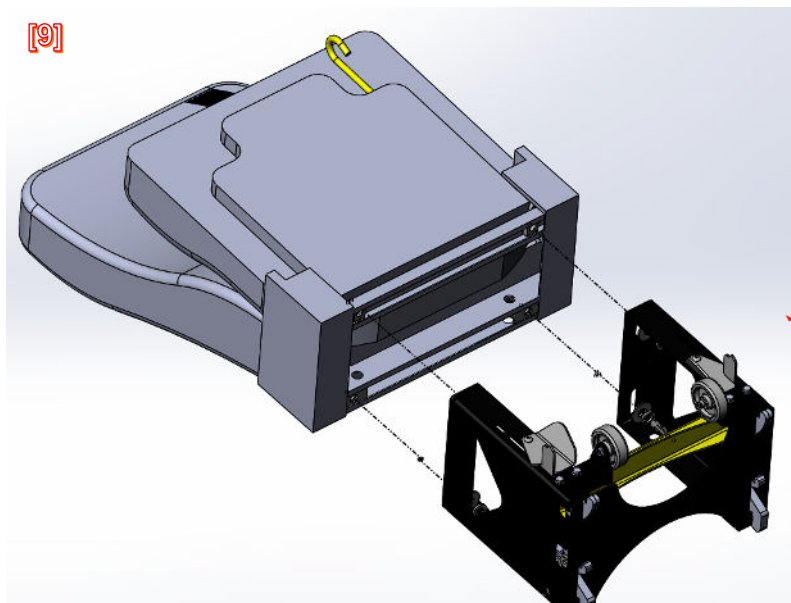
Once the rear Tee Nuts are locked into position, **insert** the rectangular steel plates into the channel so that they are between the Tee Nut and the channel opening. These Plates **MUST** be installed into and are only needed on the **REAR** Channel.



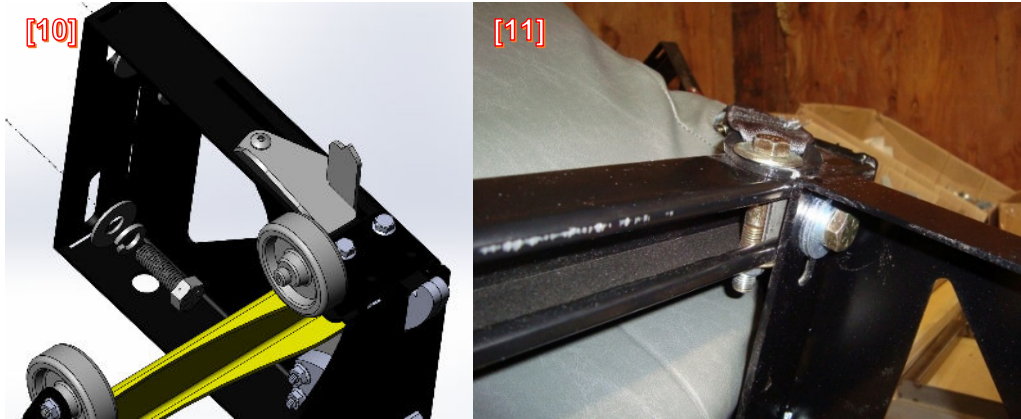
Once the Thicker Tee Nuts and Steel Plates are installed into the rear channel, **install** the “thinner” Tee Nuts into the Front Channel in the same manner as the Rear Tee Nuts (there are NO steel plates used in the front channel) [7/8].



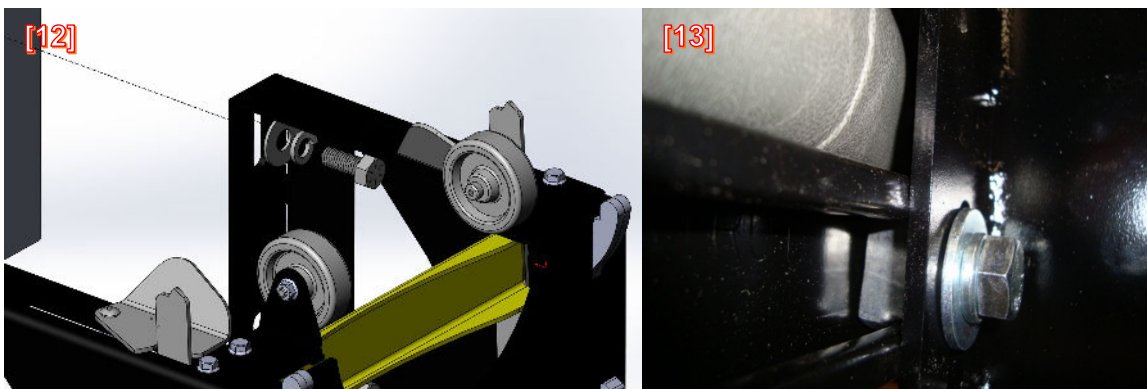
Align the *Step-N-Lock* seat base with the seat. The Seat MUST be installed to face forward when the Seat Base is also facing forward as shown. NEVER occupy a seat when the Seat or Seat Base is facing backward [9].



Install the longer (1-½”) Hex Bolt, Flat Washer and Lock Washer into the rear positions (thicker Tee Nut) **[10/11]**.



Install the shorter (1-¼”) Hex Bolts, Flat Washer & Lock Washer into the front positions **[12/13]**.



Slide the Seat Base / Seat Top side-to-side so that they are as centered as possible with each other **[14/15]**. It may be necessary to work around the seat belt anchor bolts.

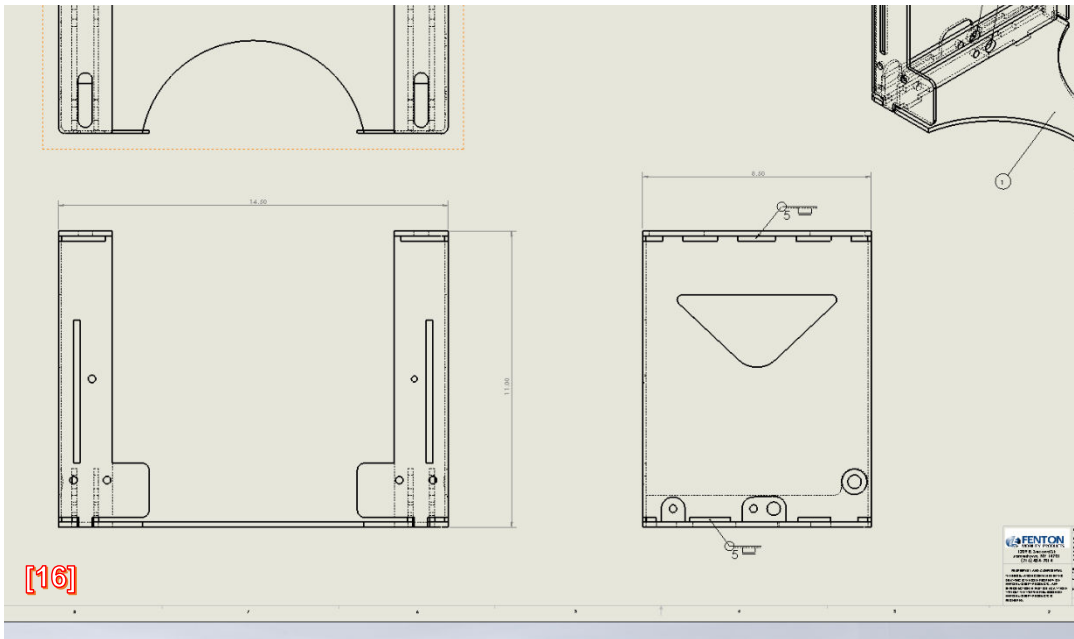


Check to make sure that the seat base is square in all directions and securely tighten all bolts.

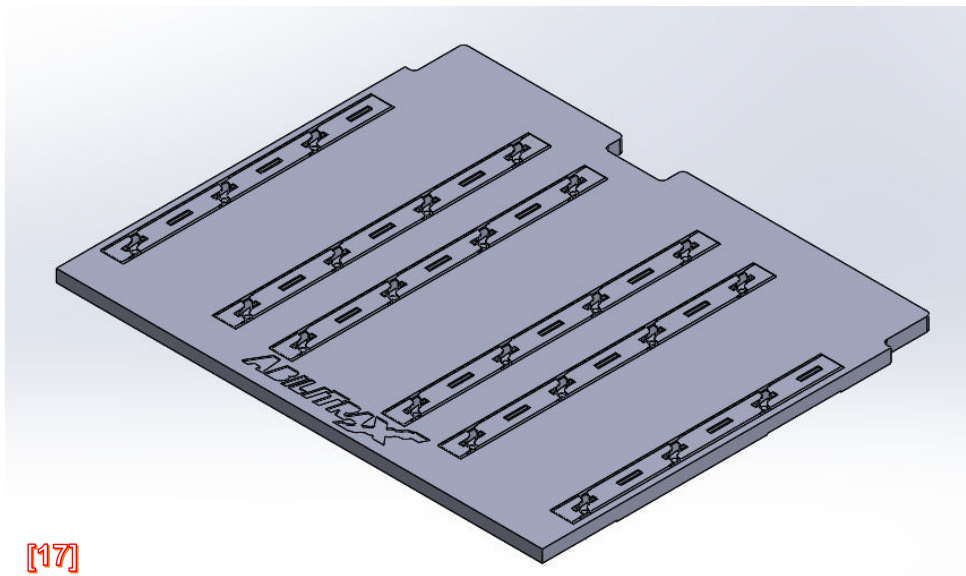
STEP-N-LOCK

Pod and Spacing Information

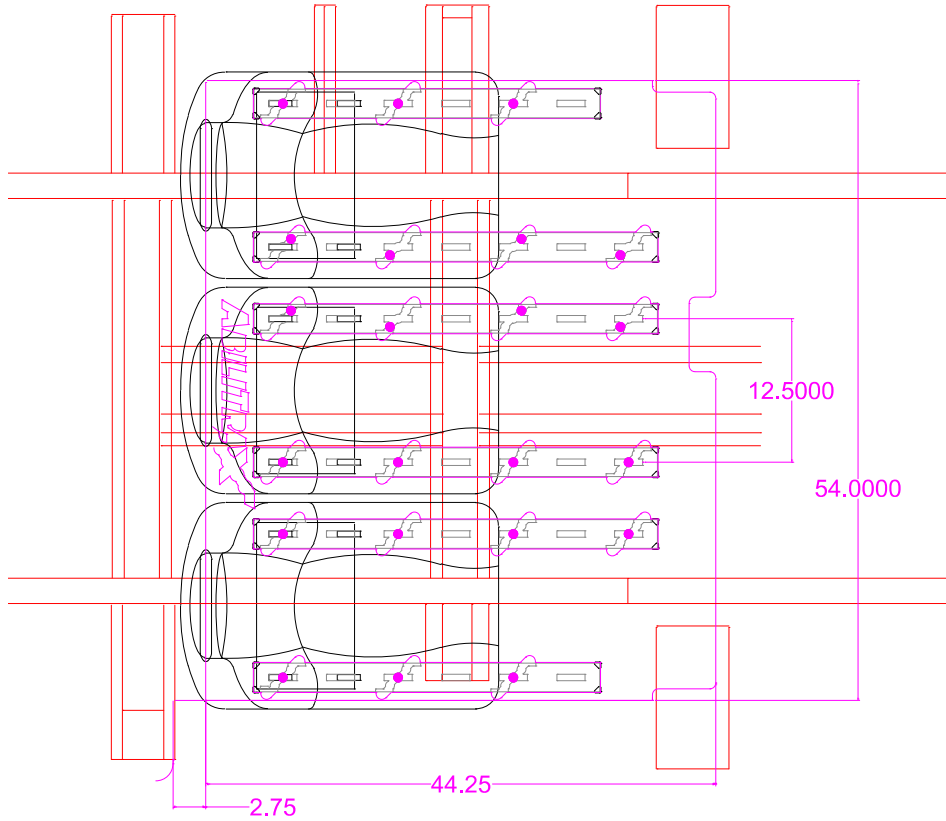
For use with Fenton's AbiliTrax flooring system



Standard Step-N-Lock Seat Base is 11" H x 14.5"W x 8.5"DP



[18]



Standard Rail Center to Center is 6-1/4" (12-1/2" for single seat base)

STEP-N-LOCK

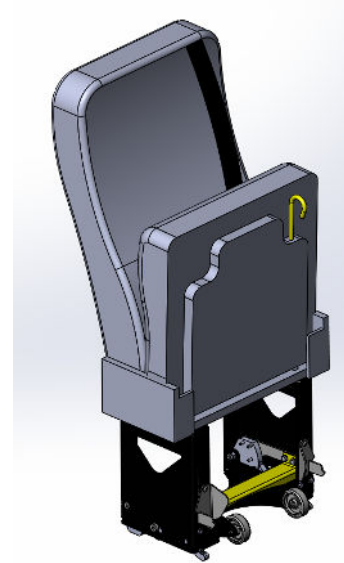
User Guide

For use with Fenton's AbiliTrax flooring system

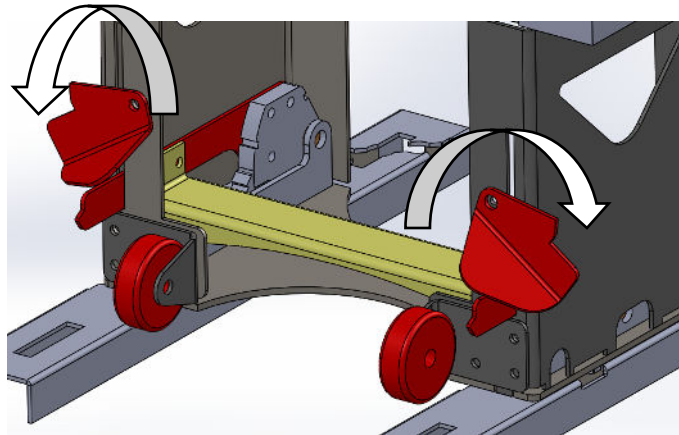
The Step-N-Lock seat system allows for the easy installation, modification, and removal of single seats in a vehicle with Fenton Mobility's AbiliTrax floor system.

This document will describe the process of disengaging a seat for re-installation in a new location.

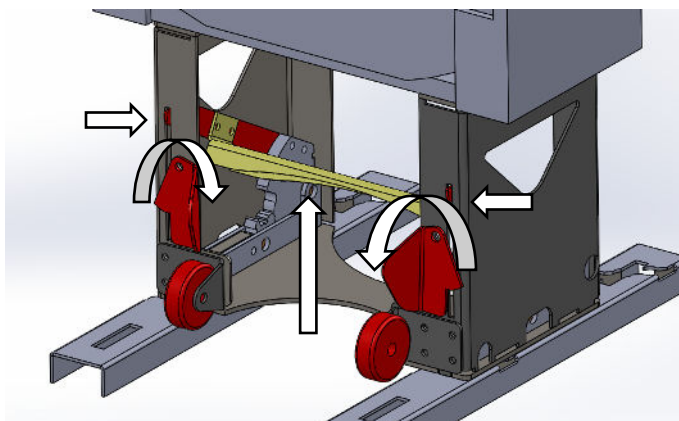
First, **pull** the yellow hook-shaped latch underneath the seat cushion, and **tilt** the seat into the "up" position, as pictured (top-right).



Then, use your foot or hand to **rotate** the two Safety Latches from the inside towards the outside, as pictured (middle-right). This allows the movement of the locking "Step Bar".



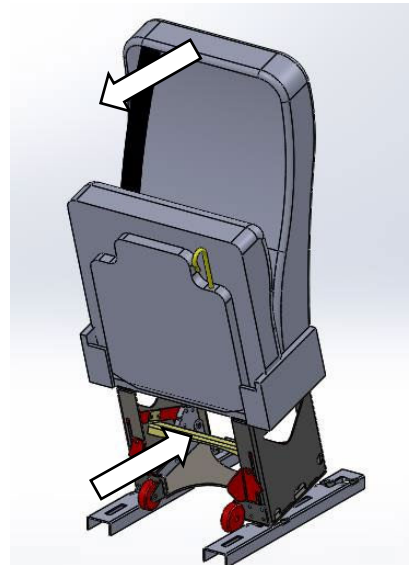
Next, use your foot to **lift** up the Step Bar into the unlocked position. As you do this, the Safety Latches should automatically **rotate** back to their original position as pictured (bottom-right).



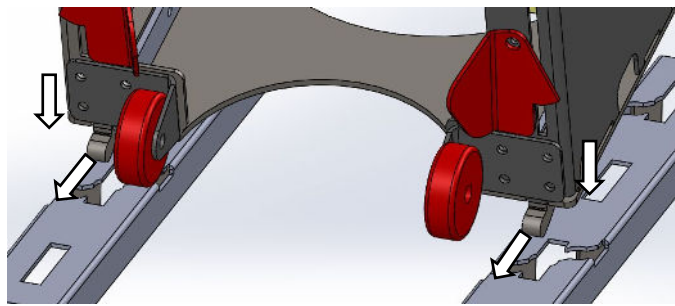
After that, the seat is free to be removed from the AbiliTrax. To do this, **pull** the top of the seat forward while **pushing** the base backward.

This motion should break the Latch Hooks free from the AbiliTrax floor such that the weight of the seat is now resting completely on the rubber wheels.

Keep the seat tilted forward and use the wheels to **move** the seat to the new desired location. **Ensure** there are no obstructions on the ground, and that the seat base is squared with the floor. Once you have selected which track to lock into, **lower** the front-left and front-right Latch Hooks into the holes and **apply forward pressure** to the entire assembly until the latches are fully forward.



Now **tilt** the assembly back until it's flat. The two back Latch Hooks should engage, and the entire assembly should now be resting flat on the AbiliTrax.



At this time, **step** down firmly on the Step Bar, which will lock the seat CAMs into the AbiliTrax. The notches in the rotating Safety Latches should **lock** the tops of the Latch Arms such that the Step Bar can no longer be lifted.



CAUTION – If the Step Bar is pressed down rapidly, it is possible for the Safety Latches to “over rotate” to an unlocked position. If this should occur, simply rotate the Safety Latches back to the locked position. Seats **MUST ALWAYS** be locked into the AbiliTrax tracks and the Safety Latches **MUST ALWAYS** be in the LOCKED POSITION when a seat is in a vehicle. **NEVER** move a vehicle with a loose seat. **NEVER** attempt to occupy a seat which is NOT fully installed AND LOCKED. Occupied seats **MUST ALWAYS** be in the FORWARD-FACING POSITION.