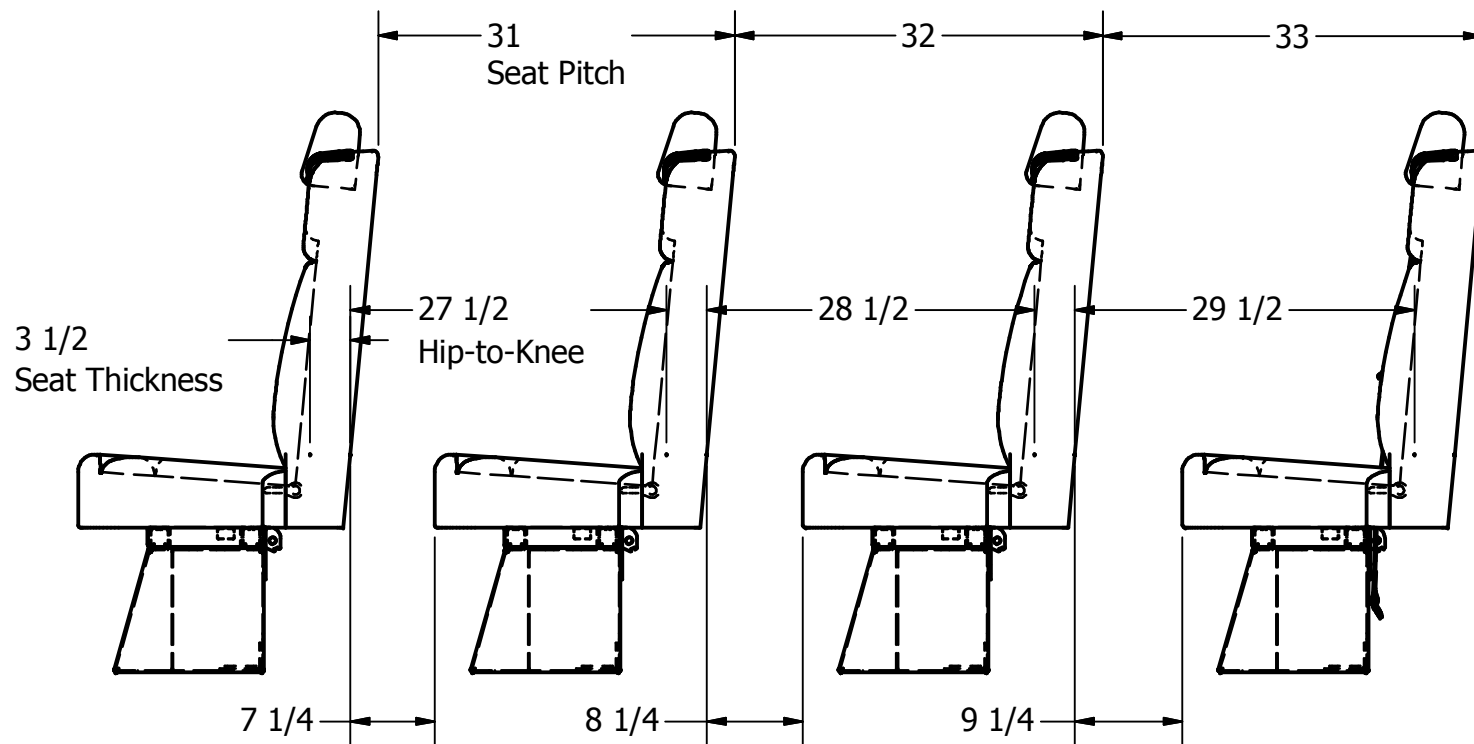


2



1

NOT TO BE USED, DISCLOSED, OR REPRODUCED WITHOUT PERMISSION. PROPERTY OF FREEDMAN MOBILITY SEATING.



Tolerances Unless Otherwise Noted:
 Fraction: 1/X +/- 1/32"
 Decimal: X.XX +/- 0.02"
 Decimal: X.XXX +/- .005"
 Angular: +/- 1 Degree
 Unspecified Radii are 1/8"

REV	DESCRIPTION	DWG BY/DATE

DWG BY: ANDREW MILLER
DATE: 3/1/15
REV: A
Trieste Recliner



Trieste H-K

2



1